

Series W-STBV-25T

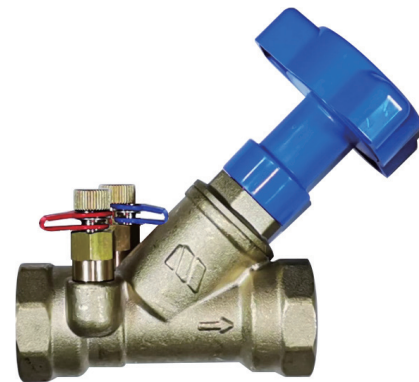
Static Balancing Valve

Size: DN15-DN50

The Series W-STBV static balancing valves are designed for flow balancing in cooling, heating or process water systems. Its measuring points enable convenient system troubleshooting.

Features

- Accurate flow control
- Numerical indicator of opening degree on the hand wheel
- Lockable set position
- Shut-off function for troubleshooting or maintenance
- Self-sealing measuring points to protect against leakage
- Nonrising-stem



Pressure-Temperature

- Nominal Pressure: PN25
- Temperature Range: -10°C~120°C

Test Pressures

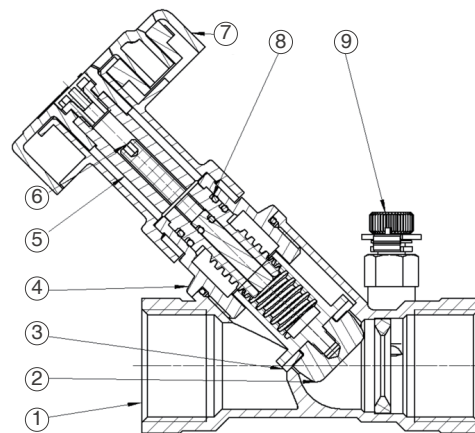
Pneumatic	Hydraulic
Shell: 6 bar(600kPa)	Shell: 37.5 bar(3750kPa)

Material

No.	Component	Material
1	Body	DZR Brass
2	Core	DZR Brass
3	Valve Base Sealing	PTFE
4	Bonnet	DZR Brass
5	Stem	DZR Brass
6	Core Rod	DZR Brass
7	Hand wheel	ABS Plastic
8	Shaft Sealing	EPDM O-ring
9	Measuring Orifices	DZR Brass

Specification

- Connection Standard: ISO 7-1
- Working Medium: Non corrosive liquids



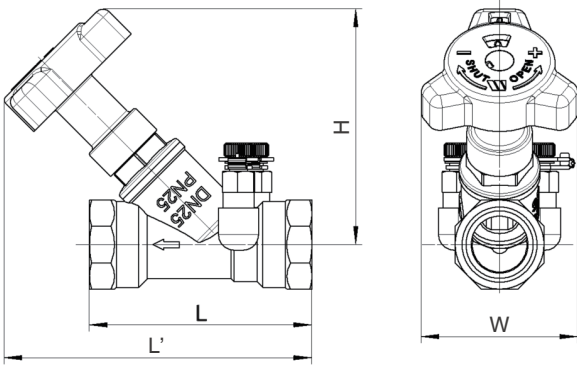
Product Model

Type	Size	Kvs(Total Valve)	Kvs(Fixed Orifice)
W-STBV015-25T	DN15	2.6	3.3
W-STBV020-25T	DN20	4.7	6.9
W-STBV025-25T	DN25	7.5	10.9
W-STBV032-25T	DN32	12.9	21.6
W-STBV040-25T	DN40	18.5	29.0
W-STBV050-25T	DN50	28.8	49.0

Model Code

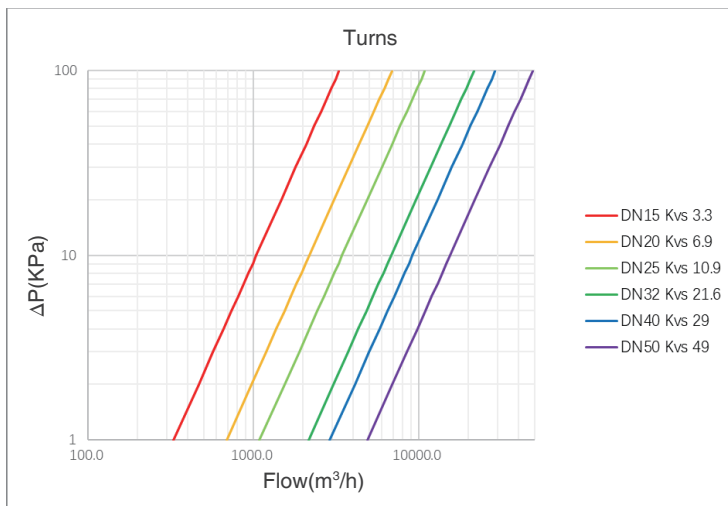
W	WATTS	W-	STBV	015-	25	T
STBV	Static Balancing Valve					
Size						
015-DN15	020-DN20					
025-DN25	032-DN32					
040-DN40	050-DN50					
Nominal Pressure	PN25					
Material	DZR Brass					

Installation Dimensions



Size	L(mm)	L'(mm)	H(mm)	W(mm)	Weight(Kg)
DN15	85	133	103.5	70.3	0.49
DN20	85	133	103.5	70.3	0.54
DN25	100	141	107.5	70.3	0.71
DN32	115	154	116.0	70.3	0.97
DN40	120	157	120.0	70.3	1.23
DN50	140	174	131.0	70.3	1.70

Characteristic Curves



Measuring:

The flow through W-STBV-25T valve can be measured by measuring instruments. the instruments are using this formula:

$$Q = Kvs \cdot \sqrt{\Delta p}$$

Kvs is fixed orifice flow coefficient

Δp is measured across the measuring orifices

Installation Instructions

The static balancing valve is normally installed on the return pipe, When it is used with the differential pressure balancing valve valve, the static balancing valve is installed on the supply pipe.

When it is connected with elbow, a minimum of 5 pipe diameters of straight pipe upstream, a minimum of 2 pipe diameters of straight pipe downstream are required.

When it is connected with pump, a minimum of 10 pipe diameters of straight pipe upstream, a minimum of 2 pipe diameters of straight pipe downstream are required.

