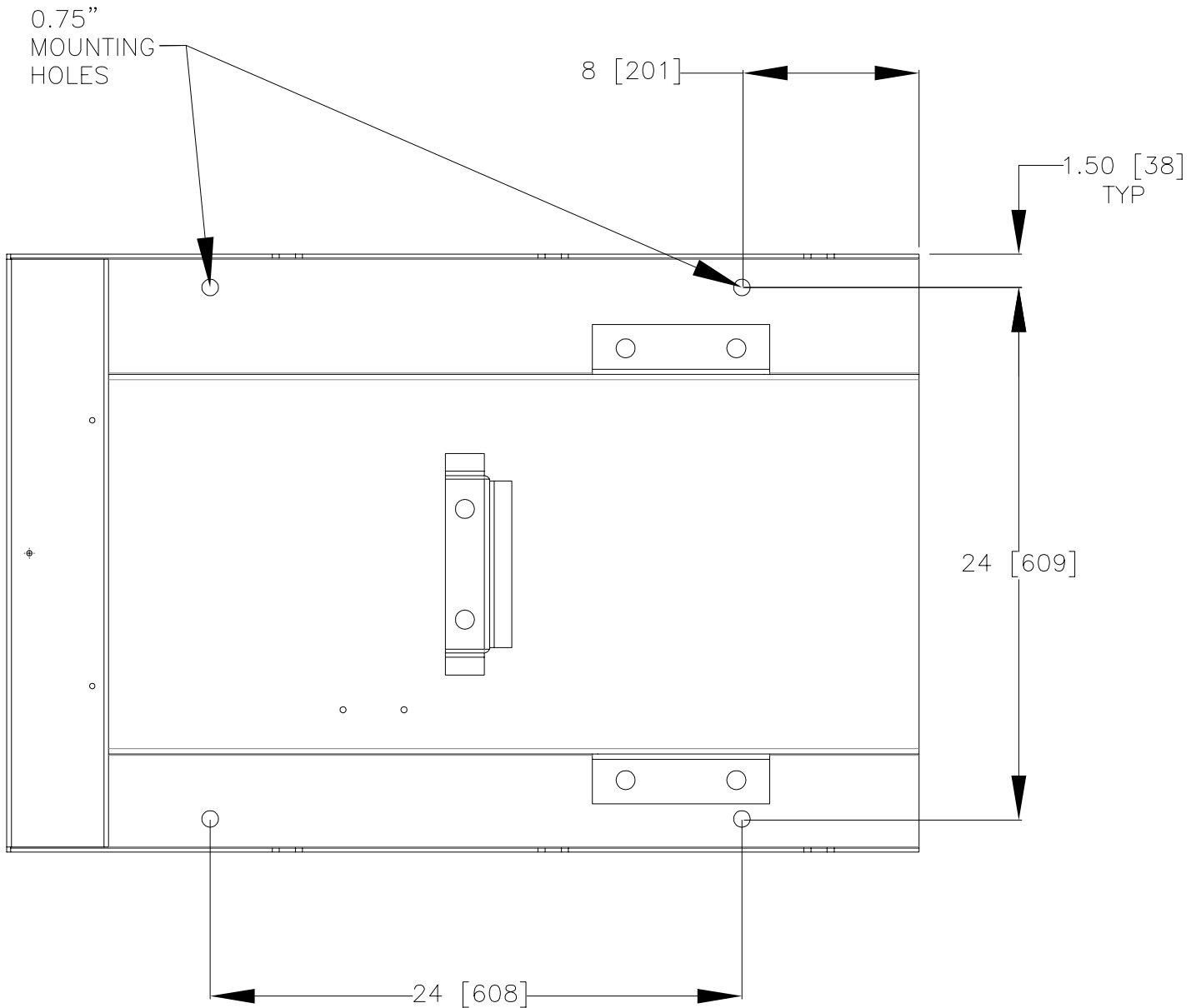



BASE FRONT



NOTES:

- 1) ALL HOLES ARE FLUSH WITH THE BOTTOM SURFACE OF THE FRAME
- 2) ALL DIMENSIONS SHOWN ARE IN INCHES (MILLIMETERS)

 A WATTSBrand	100 CRITANI DRIVE aerco.com	BLAUVELT, NY 10913
BENCHMARK & BENCHMARK® PLATINUM 1500/2000 MBH GAS FIRED BOILERS ANCHOR BOLT LOCATION		
DWN. BY <u>PDR</u> DATE <u>111413</u>	SD-A-997	REV C
SCALE <u>NTS</u>		
APPD. _____ DATE _____		