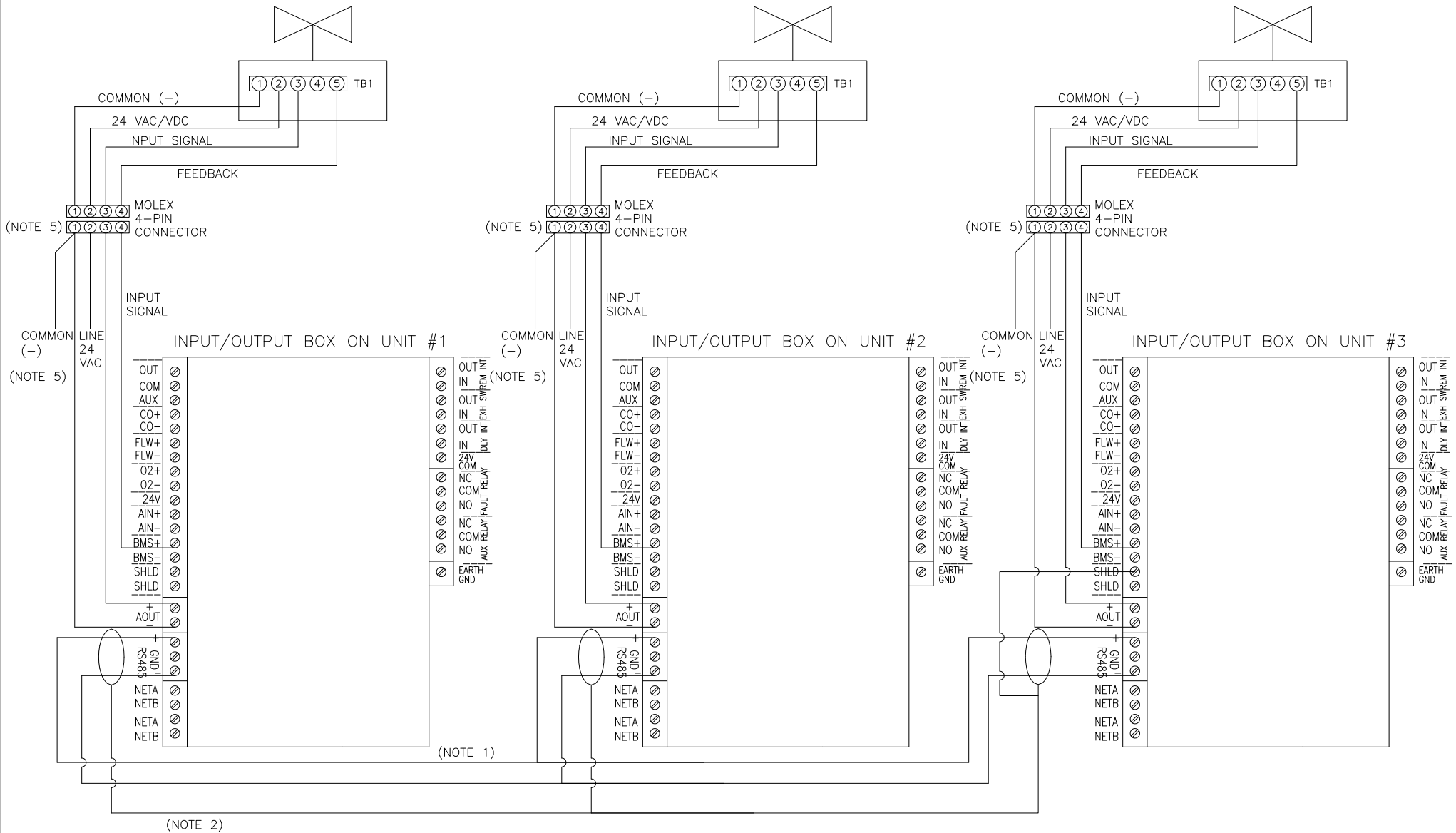



WATER HEATER #1 SEQUENCING VALVE

WATER HEATER #2 SEQUENCING VALVE

WATER HEATER #3 SEQUENCING VALVE



- NOTES:
- 1) WIRING TO BE SHIELDED TWISTED PAIR CABLE (BELDEN 9841 OR EQUIVALENT).
 - 2) TERMINATE SHIELDS ON ONE I/O BOX ONLY (EITHER OF THE END UNITS OF THE CHAIN).
 - 3) FOR C-MORE CONTROLS ONLY: ON THE CPU BOARD INSIDE THE C-MORE CONTROL PANEL OF THE FIRST UNIT ON THE CHAIN, TURN THE DIPSWITCH LABELED TERM TO THE "ON" POSITION.
 - 4) FOR C-MORE CONTROLS ONLY: ON THE CPU BOARD INSIDE THE C-MORE CONTROL PANEL OF THE LAST UNIT ON THE CHAIN, TURN THE DIPSWITCHES LABELED BIAS1, TERM, AND BIAS2 TO THE "ON" POSITION.
 - 5) SEQUENCING VALVE POWER AND CONTROL WIRING IS SUPPLIED BY AERCO.

 A WATTS Brand		100 ORITANI DRIVE BLAUVELT, NY 10913					
		aerco.com C-MORE/EDGE [i] CONTROLS ONBOARD WATER HEATER MANAGEMENT FIELD WIRING DIAGRAM (24VAC)					
DWN.BY	C.Z.	DATE	032212	DWG. NO:	SD-A-878	REV.	F
SCALE	NTS	CHKD.	APPD.				
REV.BY	K.S.	DATE	082219				