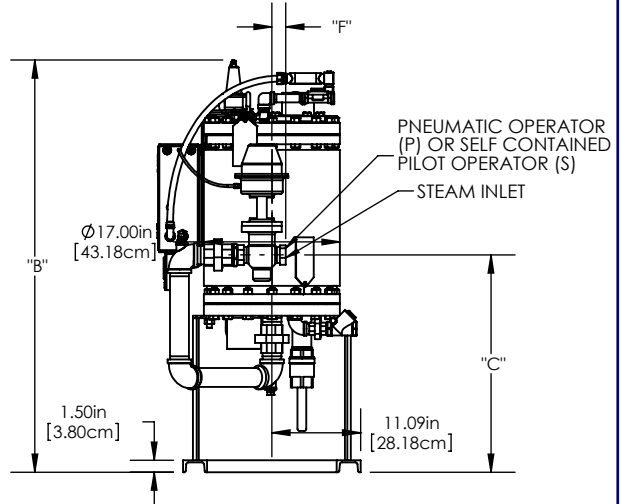
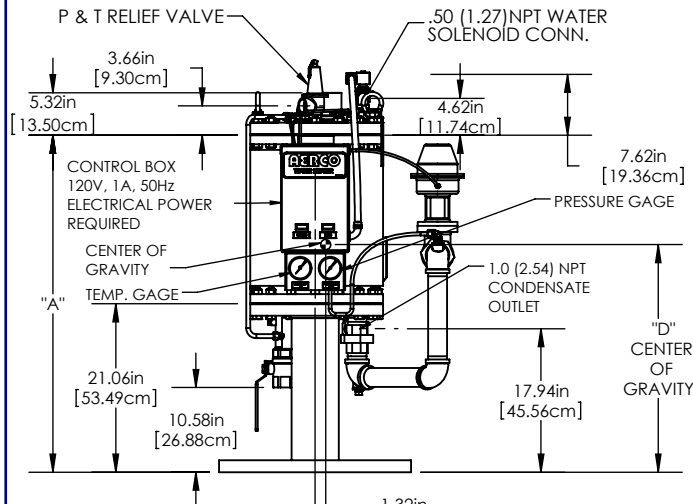
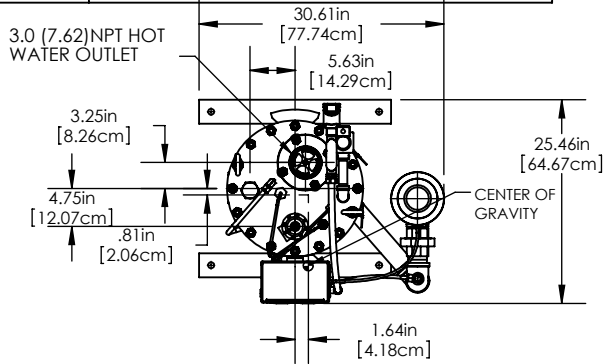


MATERIALS OF CONSTRUCTION	
SHELL	3/16" (0.48) SA53 GRD (B) (ERW) CARB STEEL
LINER	COPPER, ASTM B-370 ALLOY 122
HEADS	1.5" THICK PLT., SA-240, 304L STAINLESS STEEL
COILS	COPPER, 0.049" (0.12) WALL, ALLOY C12200 SB-111, LIGHT DRAWN
COILS	COPPER, 0.065" (0.16) WALL, ALLOY C12200 ASME SB-111
COILS	90-10 CuNi, 0.065" (0.16) WALL, ASME SB-11 ALLOY# 706
RISER	RED BRASS, SB-43

HEATER MODEL	NO. OF COILS	HEATING SURF. SQ.FT. (SQ.M.)	DIM. "A" IN (CM)	DIM. "B" IN (CM)	DIM. "D" IN (CM)	DRY WT. LBS (KG)	WET WT. LBS (KG)
B+03	3	15 (1.39)	42.12 (107.0)	51.51 (130.8)	28.10 (71.4)	527 (237)	667 (300)
B+04	4	20 (1.85)	51.12 (129.8)	60.51 (153.7)	32.60 (82.8)	610 (275)	767 (345)
B+05	5	25 (2.32)	51.12 (129.8)	60.51 (153.7)	32.60 (82.8)	625 (281)	777 (350)
B+06	6	30 (2.78)	60.12 (152.7)	69.51 (176.6)	36.38 (92.4)	670 (302)	877 (395)
B+07	7	35 (3.25)	60.12 (152.7)	69.51 (176.6)	36.38 (92.4)	685 (308)	887 (399)
B+08	8	40 (3.71)	69.12 (178.6)	78.51 (199.4)	40.88 (103.8)	740 (333)	977 (440)
B+09	9	45 (4.18)	69.12 (178.6)	78.51 (199.4)	40.88 (103.8)	755 (340)	987 (444)
B+10	10	50 (4.63)	78.12 (198.4)	87.51 (222.3)	45.38 (107.6)	800 (360)	1077 (485)
B+11	11	55 (5.11)	78.12 (198.4)	87.51 (222.3)	45.38 (107.6)	815 (367)	1087 (489)
B+12	12	60 (5.56)	87.12 (221.3)	96.51 (245.1)	49.88 (126.7)	870 (392)	1177 (530)
B+13	13	65 (6.04)	87.12 (221.3)	96.51 (245.1)	49.88 (126.7)	885 (398)	1187 (534)
B+14	14	70 (6.49)	96.12 (244.1)	105.51 (268.0)	54.36 (138.1)	930 (419)	1277 (575)
B+15	15	75 (6.97)	96.12 (244.1)	105.51 (268.0)	54.36 (138.1)	945 (425)	1287 (579)



NOTE:
FOR AIR OPERATED (PNEUMATIC) CONTROL VALVE 25 PSIG REGULATED AIR SUPPLY IS REQUIRED.

NOTE: CENTER OF GRAVITY IS WITHOUT VALVE LINE.

HEAT EXCHANGER DESIGN STANDARDS

	MAX. WORKING PRESSURE, PSIG (kPa)	MAX. TEMP. °F (°C)	TEST PRESS., PSIG (kPa)
SHELL SIDE	235 (1619)	400 (204)	355 (2446)
TUBE SIDE	250 (1723)	400 (204)	375 (2584)

ASME B&PV CODE SEC. VIII, DIV. 1 STAMP U

RELIEF VALVES SET AT °F, PSI

WaterWizard MODEL B+II

(# COILS) (VALVE SIZE) ("P" or "S")

DIMENSIONS SHOWN ARE IN INCHES
DIMENSIONS IN () ARE IN CENTIMETERS

AERCO INTERNATIONAL INC.
Blauvelt, NY 10913

CONTROL VALVE SIZE IN (CM)	"C" DIM. IN (CM)	"E" DIM. IN (CM)	"F" DIM. IN (CM)
1" (2.54) SCREWED END	27.2 (69.1)	15.3 (38.9)	1.7 (4.3)
1-1/4 (3.18) SCREWED END	27.2 (69.1)	15.3 (38.9)	1.9 (4.8)
1-1/2" (3.81) SCREWED END	27.2 (69.1)	15.3 (38.9)	1.9 (4.8)
2" (5.08) SCREWED END	27.2 (69.1)	15.3 (38.9)	2.4 (6.6)
2-1/2" (6.35) 150# ANSI FLANGED END	29.6 (75.2)	15.2 (38.6)	5.7 (14.5)
3" (7.62) 150# ANSI FLANGED END	31.4 (79.8)	17.0 (43.2)	6.6 (16.8)
4" (10.18) 150# ANSI FLANGED END	32.4 (82.3)	16.2 (41.1)	10.7 (27.2)

WATER	OPERATING CONDITIONS	
	CAPACITY, GPM (L/S)	IN/OUT TEMP. °F (°C)
STEAM	FLOW LB/HR (Kg/S)	PRESSURE TO VALVE, PSIG (kPa)

WATERWIZARD B+II WATER HEATER PACKAGED WITH CONTROL VALVE

DWN BY BK DATE 01/8/13 DWG. NO.: REV

SCALE 1:20 SITE AP-A-917 B

CHRD BY APPD