

Wafer Style Butterfly Valve (ZSDF-XXX)

◆ Application & Features:

Function: Realize on-off and flow control of piping system;

Application: Water supply and drainage, building firefighting system etc.

Features:

1. Simple structure, convenient operation;
2. Easy installation, good seal performance;
3. Long service life, high reliability;
4. Good part interchangeability;
5. Adopt the structure without pin so that the seal is more reliable;



◆ Operating Principles:

Control the rotation of sealed butterfly plate, and opening, closing, flow adjustment of the valve by rotating the hand wheel.

◆ Technical Specification:

Dimensions: DN50~DN200

Working Pressure: PN16

Working Temperature: -20℃~120℃

Fluid Medium: Water

Flange Standard: GB/T 17241.6-2008 ISO5211: 2001

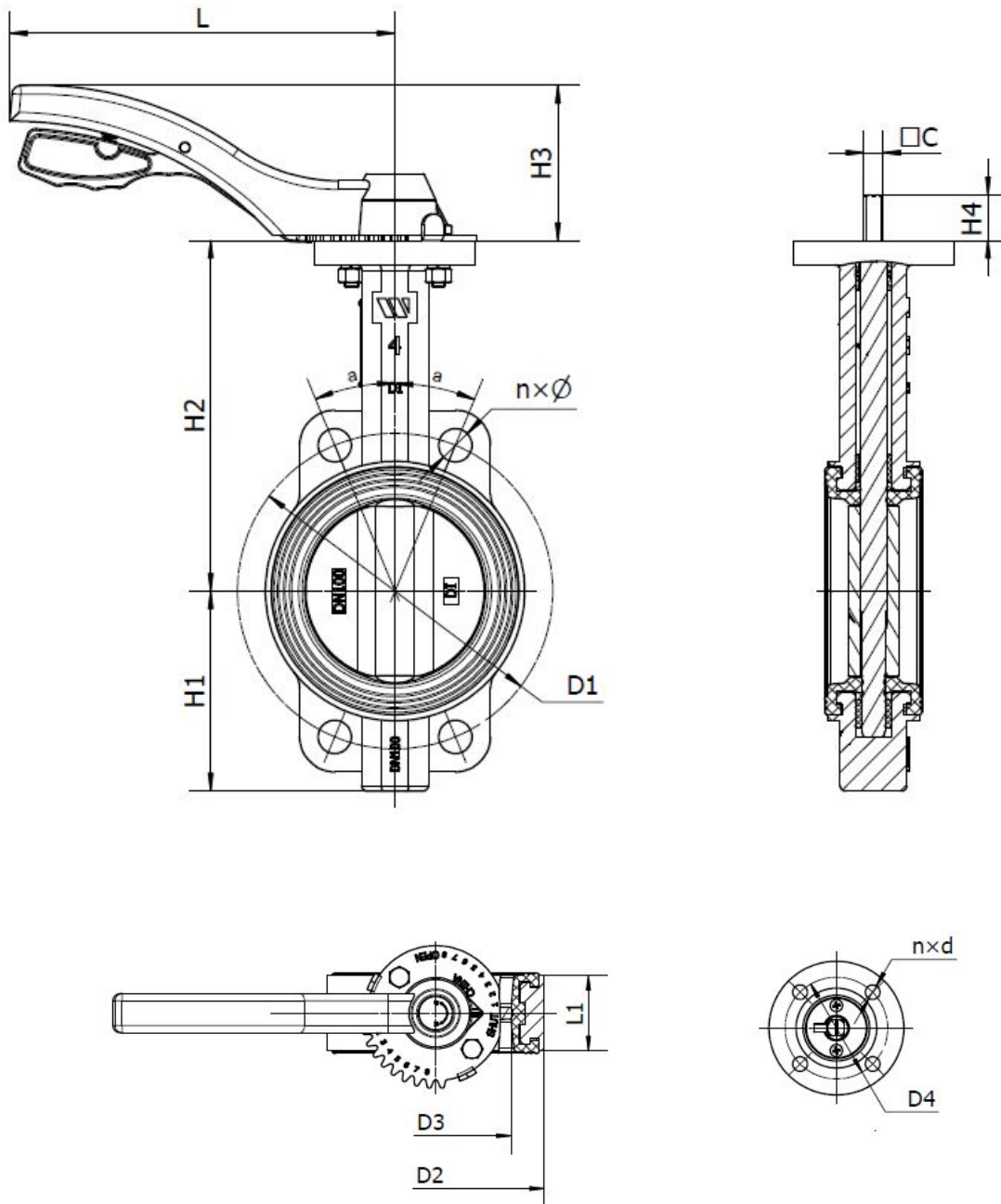
Structure Length Standard: GB/T 12221-2005

Test Standard: GB/T 5135.6-2003

◆ Parts-Materials:

Parts	Body	Disc	Seat	Stem
Materials	Ductile Iron QT450-10 Epoxy resin	Ductile Iron QT450-10 Epoxy resin	EPDM	Stainless Steel 431 (1Cr17Ni2)

◆ Dimensions:



Size (DN)	Type	H1	H2	H3	H4	L	L1	$\square C$	D1	$n \times \varphi$	a	D2	D3	D4	$n \times \varphi d$
50	ZSDF-50	80	161	95	24	215	43	$\varphi 9$	$\varphi 125$	$4 \times \varphi 19$	45°	$\varphi 89$	$\varphi 51.7$	$\varphi 70$	$4 \times \varphi 10$
65	ZSDF-65	89	175	95	24	215	46	$\varphi 9$	$\varphi 145$	$4 \times \varphi 19$	45°	$\varphi 105$	$\varphi 63.3$	$\varphi 70$	$4 \times \varphi 10$
80	ZSDF-80	95	181	95	24	215	46	$\varphi 9$	$\varphi 160$	$4 \times \varphi 19$	22.5°	$\varphi 120$	$\varphi 77.7$	$\varphi 70$	$4 \times \varphi 10$
100	ZSDF-100	114	200	95	26	215	52	$\varphi 11$	$\varphi 180$	$4 \times \varphi 19$	22.5°	$\varphi 148$	$\varphi 103.1$	$\varphi 70$	$4 \times \varphi 10$
125	ZSDF-125	127	213	95	26	215	56	$\varphi 14$	$\varphi 210$	$4 \times \varphi 19$	22.5°	$\varphi 170$	$\varphi 122.2$	$\varphi 70$	$4 \times \varphi 10$
150	ZSDF-150	139	226	95	26	215	56	$\varphi 14$	$\varphi 240$	$4 \times \varphi 23$	22.5°	$\varphi 203$	$\varphi 154.9$	$\varphi 70$	$4 \times \varphi 10$
200	ZSDF-200	175	260	26	33	360	60	$\varphi 17$	$\varphi 295$	$4 \times \varphi 23$	15°	$\varphi 255$	$\varphi 201.3$	$\varphi 102$	$4 \times \varphi 12$

◆ **Typical Applications:**

Firefighting piping system

◆ **Installation:**

- (1) The valve's rated parameters should match the equipment's. Make sure that the valve's rated flow satisfies the actual demand.
- (2) The installer must be trained or experienced so as to operate the installation correctly.
- (3) A thorough check after installation is needed to ensure no errors.
- (4) A thorough cleaning before installation is needed (chemical reagent can be applied if it is necessary) to ensure that there is not any rusting or dirt in the pipe. All the filters must be removed before washing to keep the pipe smoothly open.
- (5) When beginning to wash the system, it is suggested to install the valve on a temporary pipe. After finishing system cleaning, then move the valve back and install it on the system's pipe.
- (6) This product should not be used when the fluid medium has high viscosity (contains much grease or mineral oil), or under corrosive circumstances.
- (7) Use flanges and fasteners that meet the standards to connect the valve.