

Series W-W1124-L/G

Wafer-Type Butterfly Valve

**Size: DN50-DN150 (-L)
DN50-DN600 (-G)**

The Watts Series W-W1124 butterfly valves are designed and manufactured to meet the stringent requirements of Plumbing, HVAC, Irrigation, Commercial and Industrial applications.

Features

- Simple structure, easy to operate
- Simple installation, excellent sealing performance
- High reliability and long durability
- Position indicators

Pressure - Temperature

- Nominal Pressure: PN25
- Working Temperature: -20°C~120°C

Test Pressures

Shell: 37.5 bar
Seat: 27.5 bar

Material

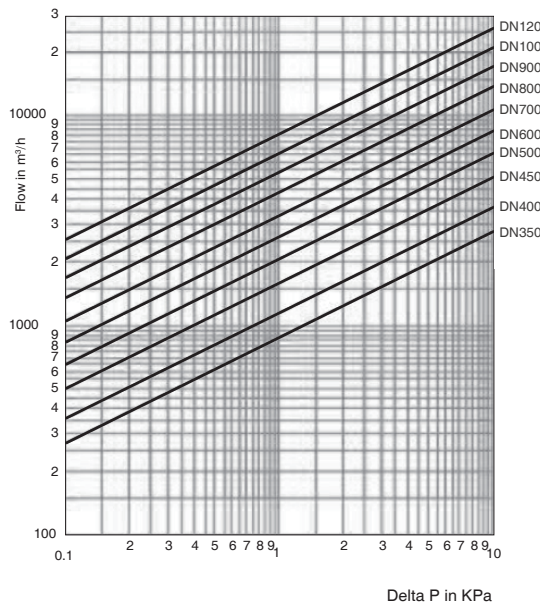
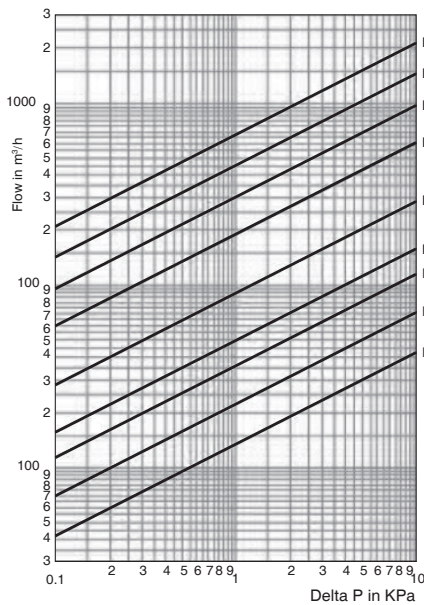
Component	Material	Standard
Body	Ductile Iron	QT450-10
Disc	Stainless Steel	CF8M
	Ductile Iron (Nickel-plated)	QT450-10
	Ductile Iron (Epoxy coated)	QT450-10
Seat	EPDM	
Stem	Stainless Steel	2Cr13

Specification

- Connection Standard: ISO7005-2:1998
BS EN1092:2-1997 PN 25
- Nominal Diameter: DN50~DN150 Lever
DN50~DN600 Gear
- Connection Type: Wafer Type
- Medium: water

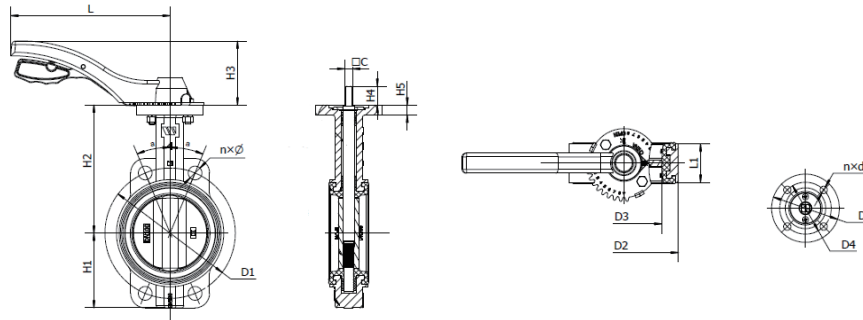


Characteristic Curves



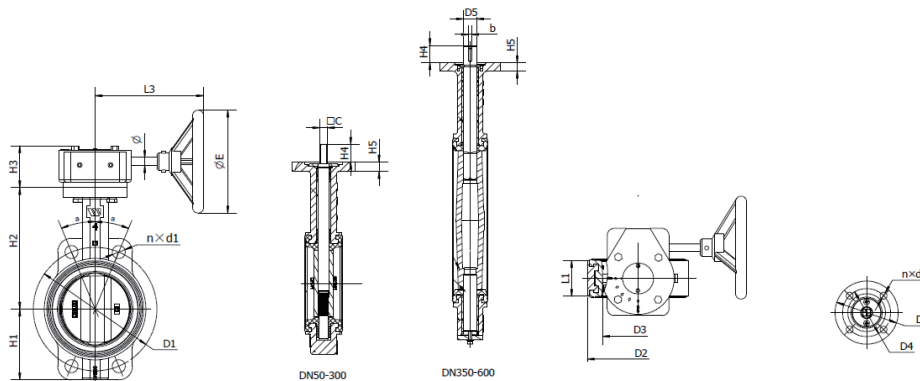
Installation Dimensions

1. Wafer-type lever operated midline butterfly valve (W-W1124-L)



DN	H1	H2	H3	H4	L	L1	C	D1	n x Φ	α	nxD1	D2	D3	D4	n x φ d	D6	H5	Torque (N.m)	
																		Wet	Dry
50	80	161	66	24	215	48	9	Φ 125	4 x Φ 18	45°	4-Φ 18	Φ 89	Φ 51.7	Φ 70	4 x Φ 10	Φ 92	12	20.4	32.7
65	89	175	66	24	215	50	9	Φ 145	4 x Φ 18	45°	4-Φ 18	Φ 105	Φ 63.3	Φ 70	4 x Φ 10	Φ 92	13	23.2	44.1
80	95	181	66	24	215	50	9	Φ 160	4 x Φ 18	22.5°	4-Φ 18	Φ 120	Φ 77.7	Φ 70	4 x Φ 10	Φ 92	14	31.19	59
100	114	200	66	26	215	56	11	Φ 190	4 x Φ 23	22.5°	4-Φ 23	Φ 148	Φ 103.1	Φ 70	4 x Φ 10	Φ 92	14	53.7	98.3
125	127	213	66	26	215	60	14	Φ 220	4 x Φ 28	22.5°	4-Φ 28	Φ 170	Φ 122.2	Φ 70	4 x Φ 10	Φ 92	14	83.6	145.8
150	144	226	66	26	215	60	14	Φ 250	4 x Φ 28	22.5°	4-Φ 28	Φ 203	Φ 154.9	Φ 70	4 x Φ 10	Φ 92	14	137.7	234.9

2. Wafer-type gear operated midline butterfly valve (W-W1124-G)



DN	H1	H2	H3	H4	L1	ΦE	C	b	D1	a	nxD1	D2	D3	D4	n x φ d	Torque (in.-lbs.)	
																Wet	Dry
50	80	161	66	24	48	150	9	-	Φ 125	45°	4-Φ 18	Φ 89	Φ 51.7	Φ 70	4XΦ 10	20.4	32.7
65	89	175	66	24	50	150	9	-	Φ 145	45°	4-Φ 18	Φ 105	Φ 63.3	Φ 70	4XΦ 10	23.2	44.1
80	95	181	66	24	50	150	9	-	Φ 160	22.5°	4-Φ 18	Φ 120	Φ 77.7	Φ 70	4XΦ 10	31.19	59
100	114	200	66	26	56	150	11	-	Φ 190	22.5°	4-Φ 23	Φ 148	Φ 103.1	Φ 70	4XΦ 10	53.7	98.3
125	127	213	66	26	60	150	14	-	Φ 220	22.5°	4-Φ 28	Φ 170	Φ 122.2	Φ 70	4XΦ 10	83.6	145.8
150	144	226	66	26	60	150	14	-	Φ 250	22.5°	4-Φ 28	Φ 203	Φ 154.9	Φ 70	4XΦ 10	137.7	234.9
200	185	260	82	33	64	298	22	-	Φ 310	15°	4-Φ 28	Φ 263	Φ 201.3	Φ 102	4XΦ 12	259	446
250	211	292	82	26	72	298	22	-	Φ 370	15°	4-Φ 31	Φ 310	Φ 249.4	Φ 102	4XΦ 12	436	741
300	247	337	84	26	83	298	27	-	Φ 430	15°	4-Φ 31	Φ 363	Φ 300.1	Φ 125	4XΦ 14	662	1078
350	280	368	84	40	83	298	Φ 33.15 ^{0-0.05}	10	Φ 490	11.25°	4-Φ 34	Φ 410	Φ 331.5	Φ 140	4XΦ 18	844	1308
400	315	400	120	52	108	300	Φ 38 ^{0-0.05}	10	Φ 550	11.25°	4-Φ 37	Φ 474	Φ 387.5	Φ 140	4XΦ 18	1142	1764
450	345	422	120	52	120	300	Φ 38 ^{0-0.05}	10	Φ 600	9°	4-M33	Φ 525	Φ 438.5	Φ 140	4XΦ 18	1527	2412
500	373	480	150	64	133	300	Φ 50.65 ^{0-0.05}	16	Φ 660	9°	4-M33	Φ 578	Φ 488.8	Φ 165	4XΦ 23	1932	3089
600	449	562	150	70	160	300	Φ 63.55 ^{0-0.05}	2-18	Φ 770	9°	4-M36	Φ 693	Φ 589.9	Φ 165	4XΦ 22	3106	5010