

2-Piece, Full Port, Bronze Ball Valves (FBV)

The FBV is mainly used to cut off or connect medium in the pipe and can also be used for flow adjustment and control.

◆ Application and Features:

Applications:

Building services, municipal waterworks and light industrial...

Product Features:

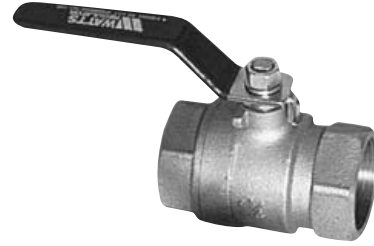
1. Suitable for a full range of liquids and gases.
2. Minimal pressure drop due to full size ports.
3. Bottom loaded blowout proof stem.
4. Virgin PTFE stem packing seal, thrust washer and seat.
5. Vinyl insulator on heavy duty zinc plated carbon steel handles.
6. Fast quarter-turn open or close operation.
7. Excellent for throttling and balancing application of non-abrasive fluids where minimum flow is 20% to 100% of valve capacity.
8. Low operating torque.
9. Adjustable stem packing gland.
10. 600psi (41bar) WOG, 125psi (8.6bar) WSP.

◆ Working Principles:

Use the lever to drive the stem to rotate and the stem drives the ball to open and close within 0°~90°.

◆ Installation Dimensions:

Connection Dimension: ANSI B1.20.1



◆ Technical Parameters:

Nominal Diameter: 1/2"~2"

Maximum Working Pressure:

600psi (41bar) WOG non-shock@38°C and 125psi (8.6bar) WSP

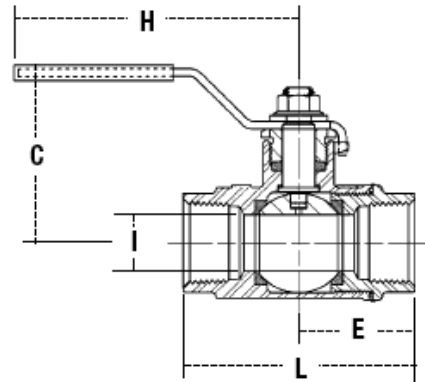
Temperature Range: (-18°C ~177°C)@50psi (3.4bar)

Working Medium: water, oil, gas

Test Standard: API-598

◆ Component Material:

Body	Adapter	Stem	Ball	Handle Assembly	Seat
Bronze	Bronze	Brass	Chrome Plated Brass	Zinc plated carbon steel with vinyl insulator	Virgin PTFE



SIZE (DN)		DIMENSIONS										WEIGHT	
in.	mm	C		E		H		I		L		lbs.	kg.
		in.	mm	in.	mm	in.	mm	in.	mm	in.	mm		
1/2	15	1 3/4	44	1 3/32	28	3 3/8	86	1/2	13	2 3/16	56	.6	.3
3/4	20	2 1/16	52	1 9/32	33	3 5/8	92	3/4	19	2 9/16	65	.8	.4
1	25	2 1/2	64	1 7/32	31	4 3/8	111	1	25	3 1/16	78	1.5	.7
1 1/4	32	2 5/8	67	1 9/16	40	4 3/8	111	1 1/4	32	3 1/2	89	2.5	1.1
1 1/2	40	3 1/8	79	1 15/16	49	6 1/8	156	1 1/2	38	3 7/8	98	3.5	1.6
2	50	3 1/2	89	2 7/32	56	6 1/8	156	2	51	4 7/16	113	5.5	2.5