

Job Name _____

Contractor _____

Job Location _____

Approval _____

Engineer _____

Contractor's P.O. No. _____

Approval _____

Representative _____

Model 994BLT

Portable Hydrant Backflow Preventer

Model 994BLT Portable Hydrant Backflow Preventer is for use in protection of potable water from a fire hydrant or other non-permanent installation where flow is in one direction only and the possibility of a cross-connection exists. Ideal for use with client's existing hydrant meter hookup.

Maintenance

Model 994BLT Portable Hydrant Backflow Preventer is designed and manufactured to provide long-term service with minimal maintenance. When maintenance is required, it can be performed easily at the hydrant or at any other convenient location.

Approvals

Model 994BLT Portable Hydrant Backflow Preventer meets the design requirements of most national standards. Due to the portability of the unit, there are no national approvals available.

Features/Benefits

- Built-in support leg is adjustable in the field, no matter the installation. Eliminates assembly from sitting directly in field or from being stacked on wood bracing.
- Dual thread connections, inside 2½" FNPT and outside 3" MNPT threaded on each inlet and outlet, allows the user a variety of connection alternatives.
- Large flow capacity-rated at over 500 gpm with less than 14psi (96.5Kpa) loss per ASSE, USC and AWWA standards for Reduced Pressure Zone Assemblies.
- No field assembly required, eliminates leaks, fouls, and improper assembly.
- Factory assembled and tested.
- Variety of end connection accessories are available to fit on-site requirements.
- Corrosion resistant 304 stainless steel body for long life field dependability.

Portable-lightweight design makes device easily transportable between job sites.

Note: Adjustable support leg not shown in actual position relative to hydrant.



Specifications

The Portable Hydrant Backflow Preventer shall be designed to protect the potable water system in accordance with national plumbing codes and water authority requirements, by preventing backflow through the fire hydrant during site construction phase. Water flows through the pre-tested Reduced Pressure Zone Assembly. The valve shall consist of two independently operating, spring loaded cam-check valves with a hydraulically operated differential pressure relief valve located between and below the cam-checks. When normal flow exists, both checks are open and the pressure in the area between the checks called the zone, is at least 2psi lower than the inlet pressure. If cessation of normal flow occurs, the differential pressure relief valve will automatically open and discharge to maintain the zone at least 2psi (13.8Kpa) lower than the inlet pressure. The valve shall come standard with an adjustable mounting bracket, sturdy relief valve shield, dual thread connections and other options. Portable Hydrant Backflow Preventer should be a Series 994BLT.

NOTICE

The information contained herein is not intended to replace the full product installation and safety information available or the experience of a trained product installer. You are required to thoroughly read all installation instructions and product safety information before beginning the installation of this product.

Options

Inlet modules

- 3" female hydrant thread
- 3" male hydrant thread
- 2½" female hydrant thread
- 2½" male hydrant thread
- 2½" male NPT thread
- Customer specified

Outlet modules

- 3" gate w/female hose thread
- 3" gate w/male hose thread
- 2½" gate w/female hose thread
- 2½" gate w/male hose thread
- 3" gate valve only, 3" INPT thread
- 2½" gate valve only, 2½" FNPT thread
- Customer specified

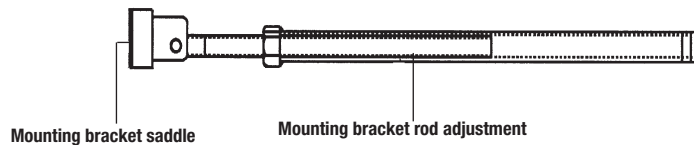
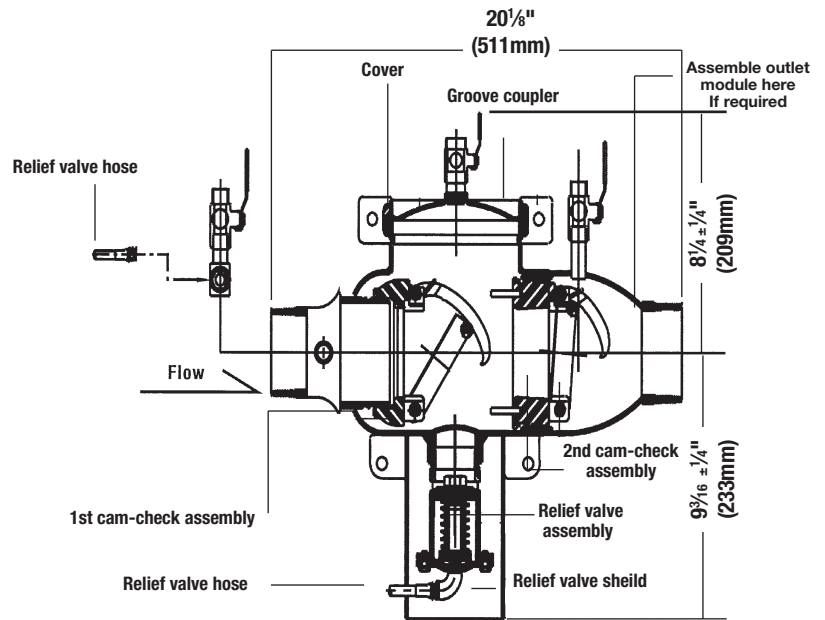
Foot modules

- Uneven surface saddle (supplied STD with unit)
- Flat surface adapter
- Customer Specified

Materials

Body and Cover:	Stainless Steel
Check Assemblies:	Engineered Plastic and Stainless Steel
Relief Valve Assembly:	Engineered Plastic and Stainless Steel
Lid Coupler:	DI/CI

Dimensions

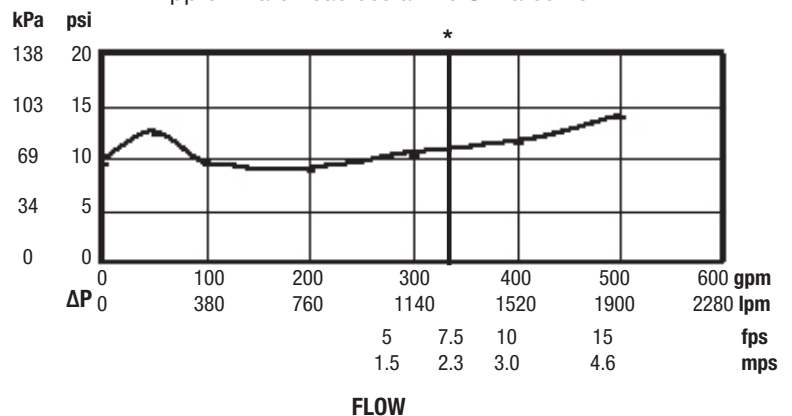


MODEL	SIZE; INLET	SIZE; OUTLET
994BLT	2 1/2" FNPT / 3" MNPT	2 1/2" FMNPT / 3" MNPT

Capacity

994BLT Flow Characteristics

*Approximate headloss at the UL rated flow.



USA: T: (978) 689-6066 • F: (978) 975-8350 • Watts.com
 Canada: T: (905) 332-4090 • F: (905) 332-7068 • Watts.ca
 Latin America: T: (52) 81-1001-8600 • Watts.com